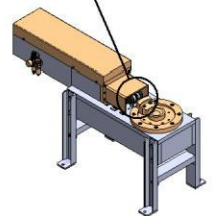
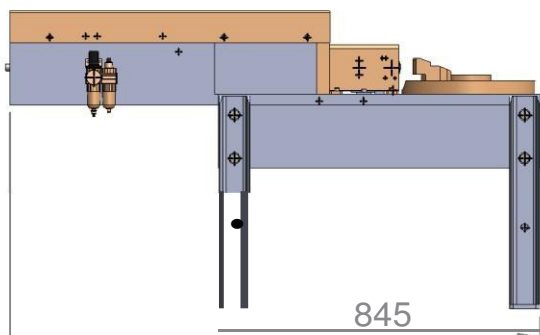
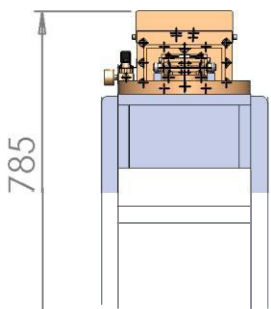
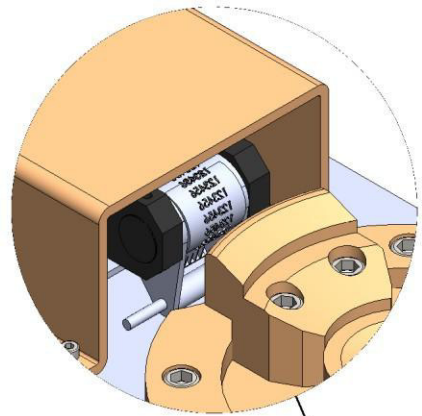
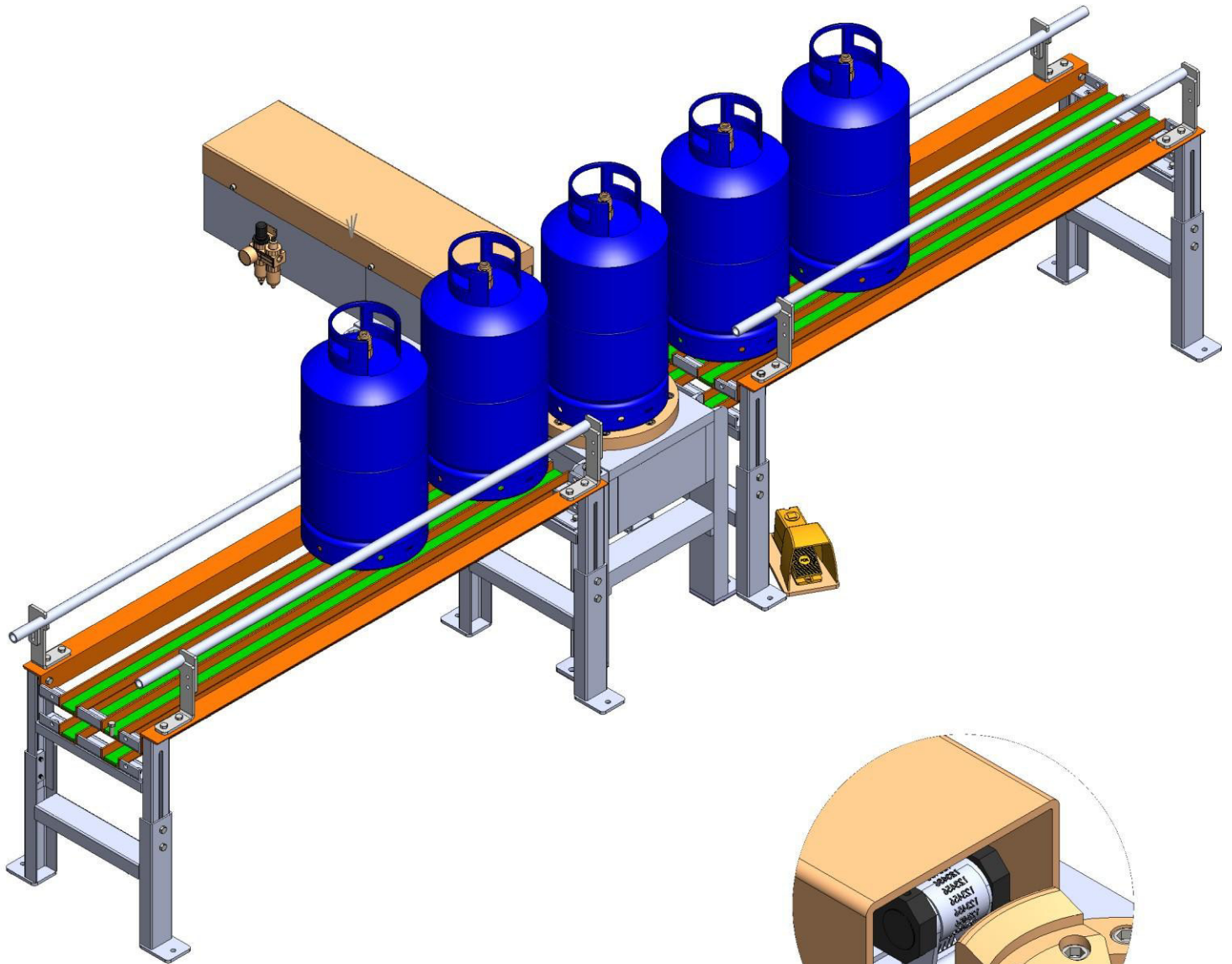


Product Name :Printing Machine

Product Code :DM-NPM-160

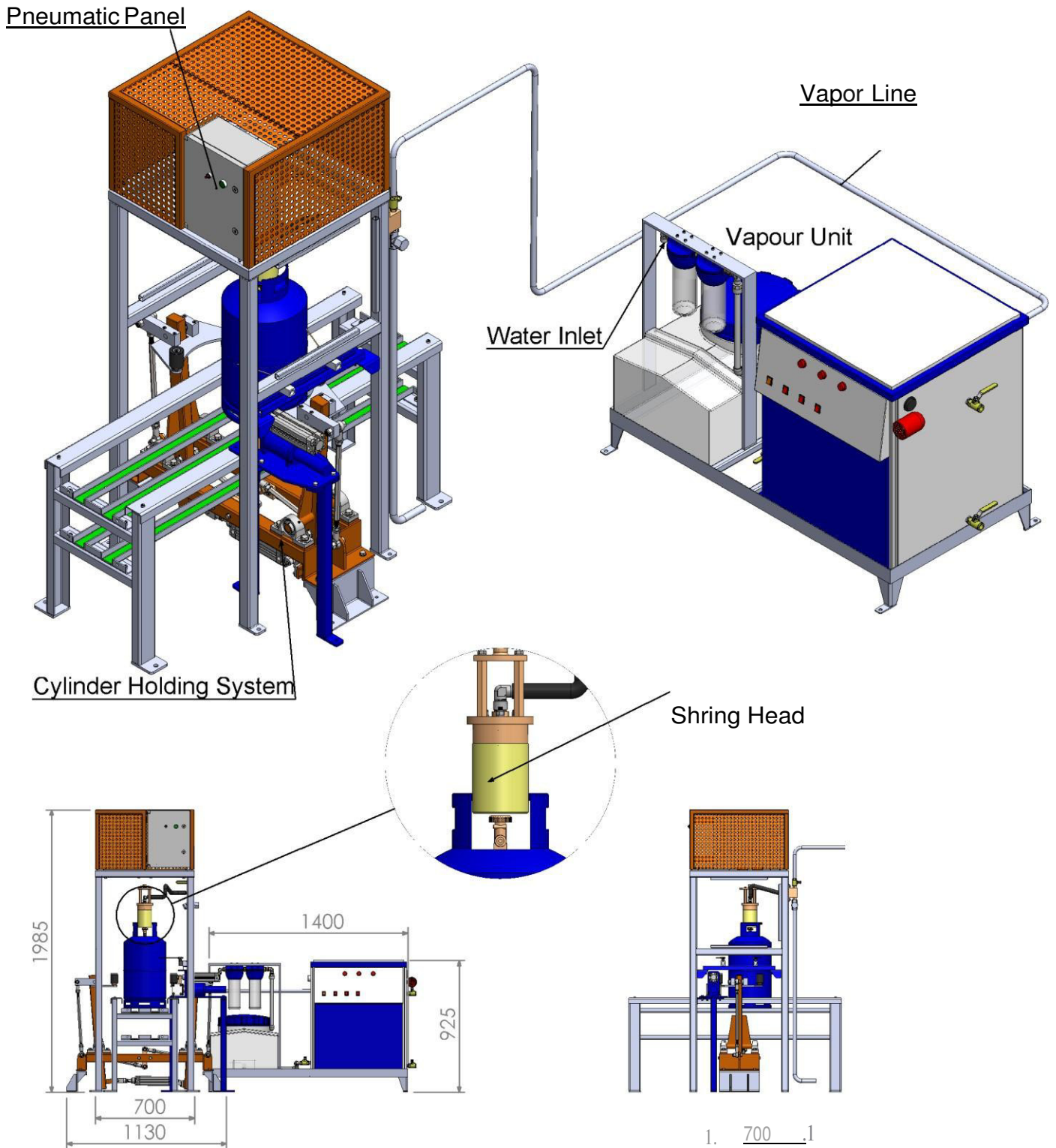


DESCRIPTION

Used for Number pressing to Cylinders bottom circles.The systems is hydro pneumatic.

Product Name : OM SHRING MACHINE (OVER BAND MODEL)

Product Code : DM-SMAUT0-050



DESCRIPTION

Shring Machine is used to paste security tapes which are printed company's name and logo with steam on cylinder valves. Work on conveyor band automatically.